



# Nurse call with Flamenco<sup>IP</sup>

The next generation for perfect communication

## Digitally integrated processes: a win-win situation for everyone.

The future of hospitals is **digitisation**. **IP connectivity** and compatibility means more cooperation, **efficiency** and time for the things that really matter. Everyone can potentially communicate with anyone else around them; each device can be connected to any other. Emergency call notifications or X-rays, telephone conversations or video streams: all information reaches the right person at the right time.

Digital transformation has long been a question of how, not if. In an unstructured market, we are the systems market leader for future-proof solutions. Our ideas and product developments are shaped by the requirements of our customers worldwide for effective networking of nurse call systems, telecom-

munications and versatile digital services. The integration of functions on standardised platforms creates the basis for working more efficiently, providing more human care and improving quality.

With **Flamenco<sup>IP</sup>**, the next generation of innovative communications solutions is now available for the healthcare sector.

Maximum **compatibility** and interconnection with earlier systems ensures an easy and smooth change-over to the new digital world of nurse call buttons.

---

**ZVEI:**

**German Quality**  
**DIN VDE 0834**

■ **Made**  
■ **in**  
■ **Germany**





## The “lean hospital”: the combination of human touch and efficiency.

Alongside the constant improvement of medical quality, innovations for organisational and nursing processes form the basis for efficient and cost-effective hospital operations. The perfect integration of various security and communications solutions ensures consistent, streamlined and reliable support of nursing management.

**Flamenco<sup>IP</sup>** can be integrated seamlessly into state-of-the-art infrastructures and creates more space for human care. Nursing staff are supported effectively because, in hectic everyday operations, all important and necessary information is available in the right place at the right time. Automatically monitored processes ensure seamless operations and give

you the certainty that processes are functioning smoothly, particularly in emergency situations.

### **Security without compromises**

**Flamenco<sup>IP</sup>** meets all security requirements in accordance with DIN VDE 0834.

### **Greater efficiency**

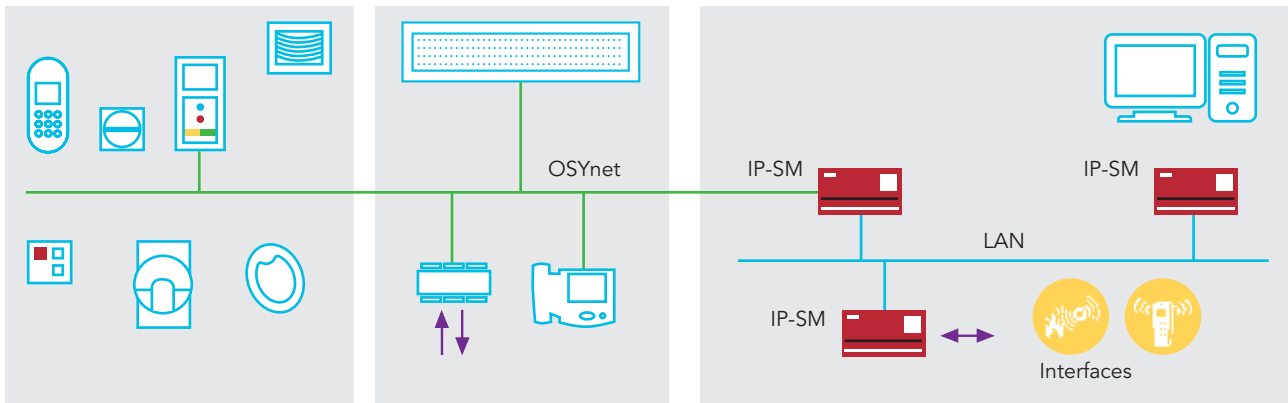
Regardless of whether central or decentral, or team nursing or primary nursing, **Flamenco<sup>IP</sup>** offers the space to organise care processes efficiently.

### **Flexible organisation**

The “organiser system” leaves nothing to be desired and enables care processes to be configured freely.

# The Flamenco<sup>IP</sup> system: flexible, safe, economical.

## Flamenco<sup>IP</sup> – Backbone



Flamenco<sup>IP</sup> is an all-purpose communications platform for modern care organisations, and can be integrated easily and flexibly into existing IT infrastructures. The system is designed for use in hospitals, nursing and care homes, and similar institutions.

Flamenco<sup>IP</sup> combines the functions of a modern nurse call system with the possibility of telecommunications and intelligent data networking via existing infrastructures.

### Efficient patient room management

The unique separation of physical infrastructure and room organisation enables the greatest possible scope for system configuration and use. If the situation changes, grouping of rooms can be changed with a click of the mouse.

### Outstanding functional reliability

Independently operating technology, permanent self-monitoring and intelligent networking form the basis for maximum security. All components of the system structure can be maintained separately and independently of one another, modernised or be replaced by other state-of-the-art solutions. If telecommunications systems fail, IT/IP networks, television systems and other interfaces continue to function independently. This guarantees high operational reliability and prevents crosstalk between subsystems.

### **Easy handling by your staff**

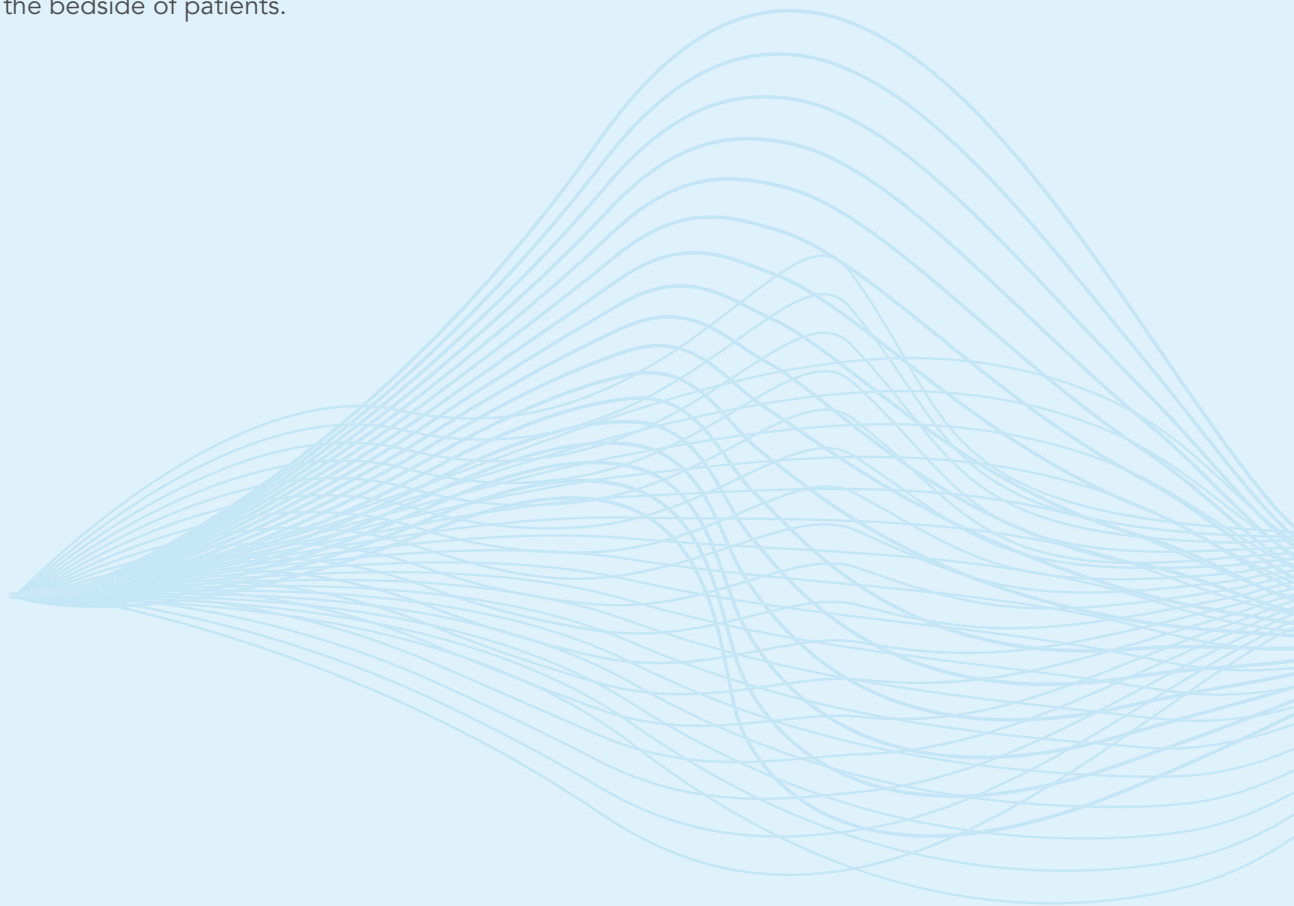
Products suitable for everyday use and simple, fully developed operating procedures make everyday life easier for your staff. The system can be tailored to individual needs in the simplest way possible and be configured according to requirements. A further available feature is the excellent speech quality, based on the most cutting-edge digital signal processing.

### **Reliable integration options**

The system is complemented by extensive interfaces and possibilities to integrate third-party systems. The nurse call system also remains unchanged as an independent unit for complex integration with other systems.

Here, **Flamenco<sup>IP</sup>** offers maximum planning freedom and investment security, and is highly future-proof.

Open architecture enables easy system expansion in the future, such as with mobile devices or multimedia terminals at the bedside of patients.

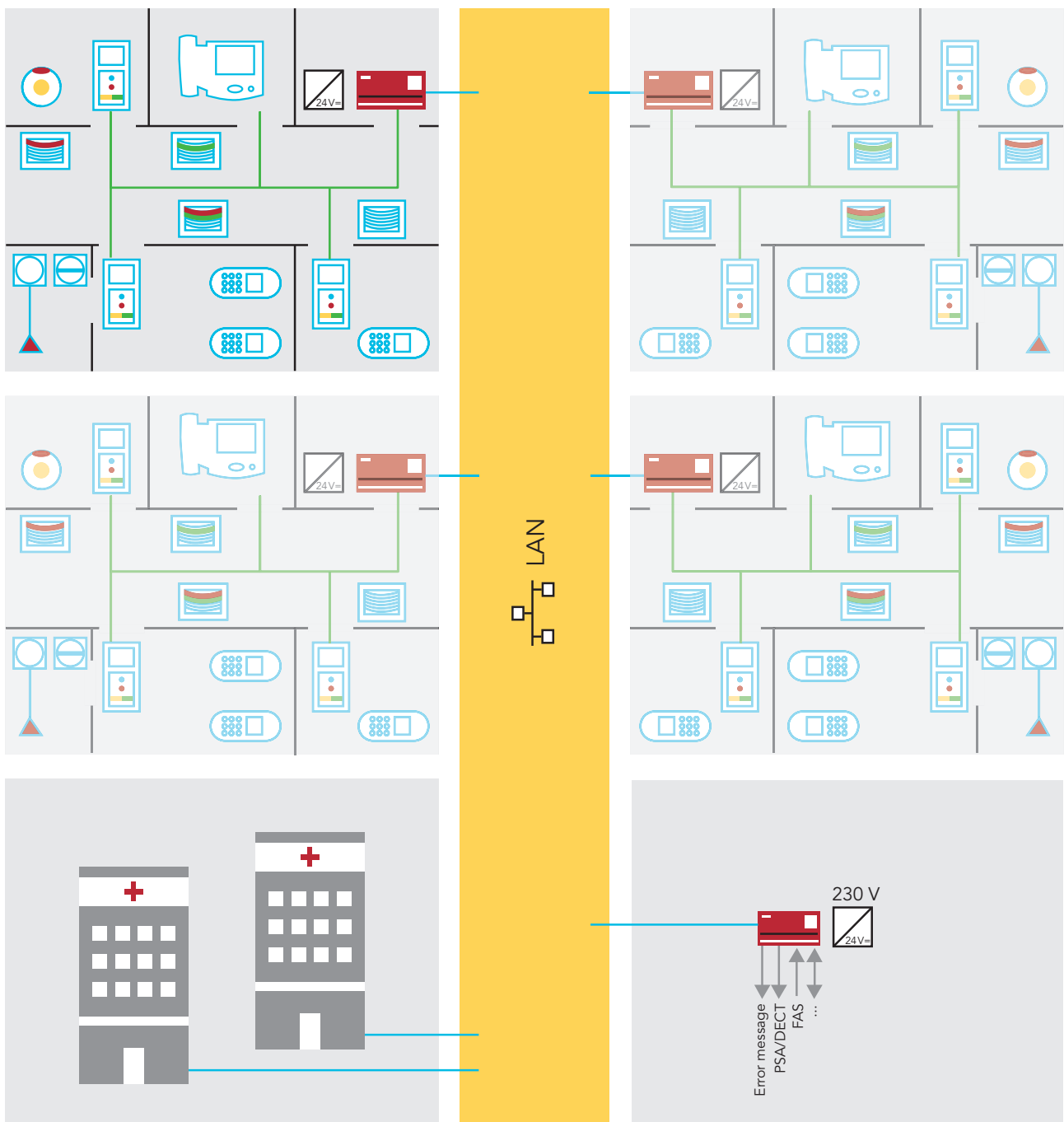


# A modular system: multiple solutions.

The **Flamenco<sup>IP</sup>** system can be used modularly and in many various ways. From the stand-alone station to integrating inventory systems through to large clinics with extensive connections and corresponding interfaces.

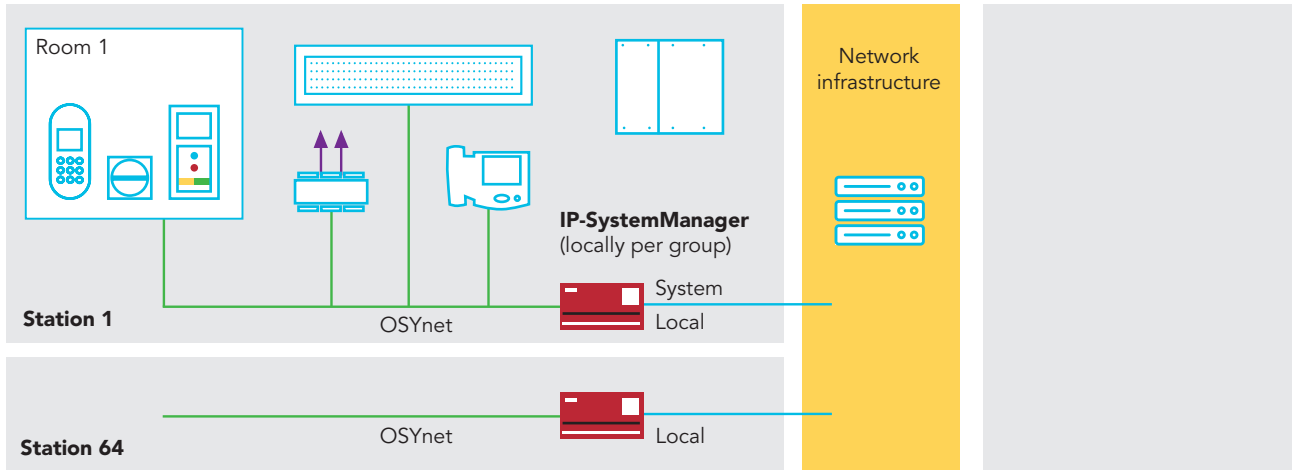
- As a nurse call system with/without language, stand-alone unit or network
- Complemented by the management centre with additional interfaces
- Integration of inventory systems and mixed applications of different system generations

## System overview

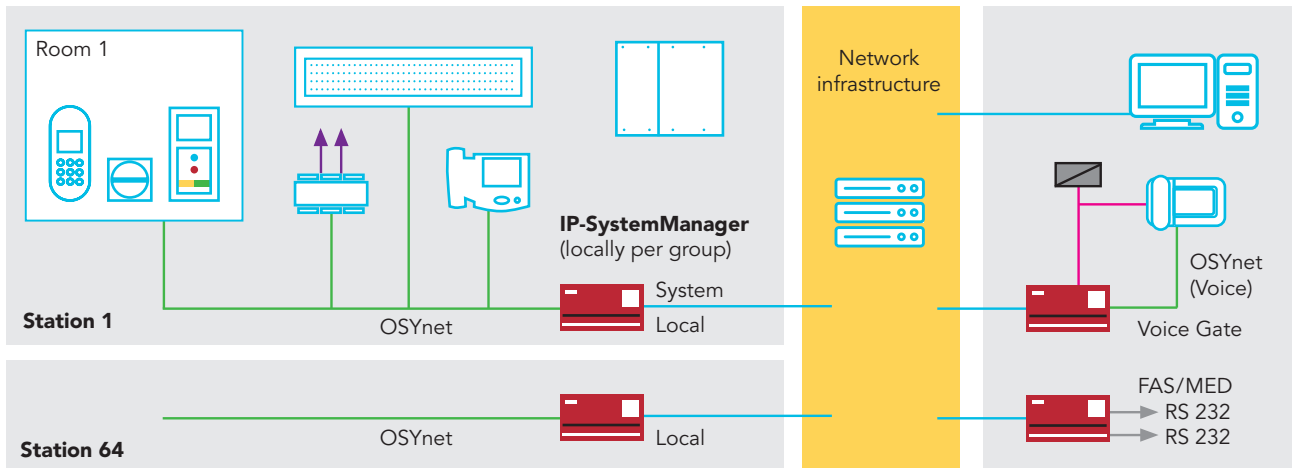


# Examples of use

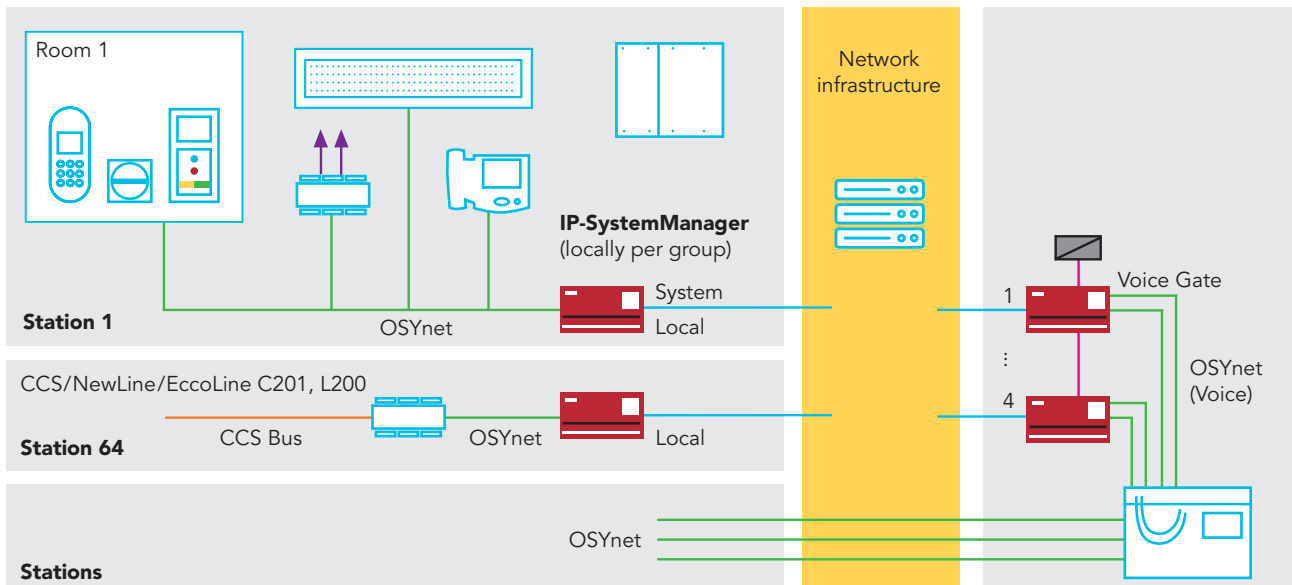
## A. TWO OR MORE INTERCONNECTED STATIONS



## B. TWO OR MORE INTERCONNECTED STATIONS, MANAGEMENT CENTRE



## C. MIXED-MODE OPERATION WITH OLD SYSTEMS



## Flow of information in the ward: send a clear signal.

Nothing is more sure to interrupt a good rhythm of patient care-giving than a flood of unfiltered information. With **Flamenco<sup>IP</sup>**, you can send out clear visual and audible signals to ensure that the right

information reaches the right person at precisely the right time. After all, especially when staffing levels are low, every step taken must lead in the right direction.

### Room



**ComTerminal:** universal full-duplex speech communications terminal for use in patient rooms, nurse stations and function rooms. The innovative control panel made from real glass satisfies even the strictest requirements.

**Room lamp, 3-piece:** signal lamp with three light sections for visually signalling all call types and staff presence.

**Switch programme:** switch in water-protected design for toggling staff presence and raising calls, WC calls and alarms. Further variants available include emergency pull cord, pneumatic release button and call cancellation.

**Connection socket:** combined connection socket for connecting patient devices, transmitting calls and entertainment programmes, and controlling two relays for light switches.

**Patient handset:** hand-held device for voice communication. Equipped with buttons for raising calls, for light switches and for controlling the radio and TV. 2.5m connection cable.

**Pear push switch with call and light switch:** for raising calls and toggling reading lights; 2m and 4m cable.

**Radio receiver T:** as an alternative to the pear push switch, it is plugged into the same connection socket.

**Hand-held transmitter:** for raising calls manually. Watch design with low-maintenance stretch wristband. Moisture protection in accordance with IP 67. Wide range of accessories available.

**Pull cord switch:** call button with emergency pull cord for raising calls.



## Corridor/staff



### Corridor display Alpha 16

16 icons for the alphanumeric display of call type and call location. Installation accessories are included. Double-sided design available.



### ComStation<sup>BUS-C</sup>

For querying and handling calls, and supporting the organisation of care. Microphone, loudspeaker and handset for speech-based communication. The system is operated using target and navigation buttons.



### Management centre

Central console for the best possible organisation of operating workflows. All the functions for centrally handling all nurse call system functions are available and convenient to operate.

---

## Technology and control



### IP system manager

Decentralised control unit for the stand-alone operation of a **Flamenco<sup>IP</sup>** nurse call system for the respective organisation group. Several IP system managers are connected to a whole system.



### I/O interfaces

Building technology of **Flamenco<sup>IP</sup>** integrates individual interfaces for exchanging information with other systems, such as fire alarm systems.



### Power supply

A small detail: reliable power supply, dependable when it matters. Reliable electrical isolation and optional UPS function ensure greater security. Additional displays and interfaces show the operating status.

---

## Comfort



### TV solutions/ bedside terminal

The demands on equipment in patients' rooms are becoming ever more exacting, personal and high-end. In conjunction with selected and certified partners, we offer a broad bandwidth of devices and solutions.

## Software components and interfaces: connection required.

### Software components/interfaces

The **Flamenco<sup>IP</sup>** system can be equipped with extensive functions and standard interfaces. A wide range of system and functional components can be installed and used on the respective IP system manager.

The spectrum of the applications ranges from the simple transferral of information to a pager through to the complex connection of medical systems.

---

### Examples of applications

The open and future-proof system platform leaves a great deal of room for future expansions. In many cases, it is already possible to pair the system with standard protocols via interfaces.

If, in a given case, this is not possible, we will gladly assist you with integration, and present an appropriate offer for your requirements.



**TEXTUAL  
INFORMATION**



**PAGING**



**TELEPHONE  
SERVICES**



**ALARM  
SYSTEMS**



**MEDICAL  
SYSTEMS**



**HOSPITAL  
INFORMATION  
SYSTEM (HIS)**



**FACILITY  
MANAGEMENT**

---

### A few words about security and software maintenance

Tunstall places special emphasis on your systems as an elementary component of the service and security concept. As a consequence of interconnecting systems via partially unknown IT/IP infrastructures, cyber security is an increasingly important issue. Regular system and security updates are essential for ensuring system integrity. This is the only way to guarantee that the nurse call system can be safely operated for many years and always remains at the current safety standard.

The security of our systems is of paramount importance to us. In order to comply to fundamental quality and safety regulations, Tunstall highly recommends a software maintenance contract, which comprises all system and functional components. Our service gives you the certainty that your system is always best protected.

## Flexibility with Flamenco<sup>IP</sup>: security for the future.

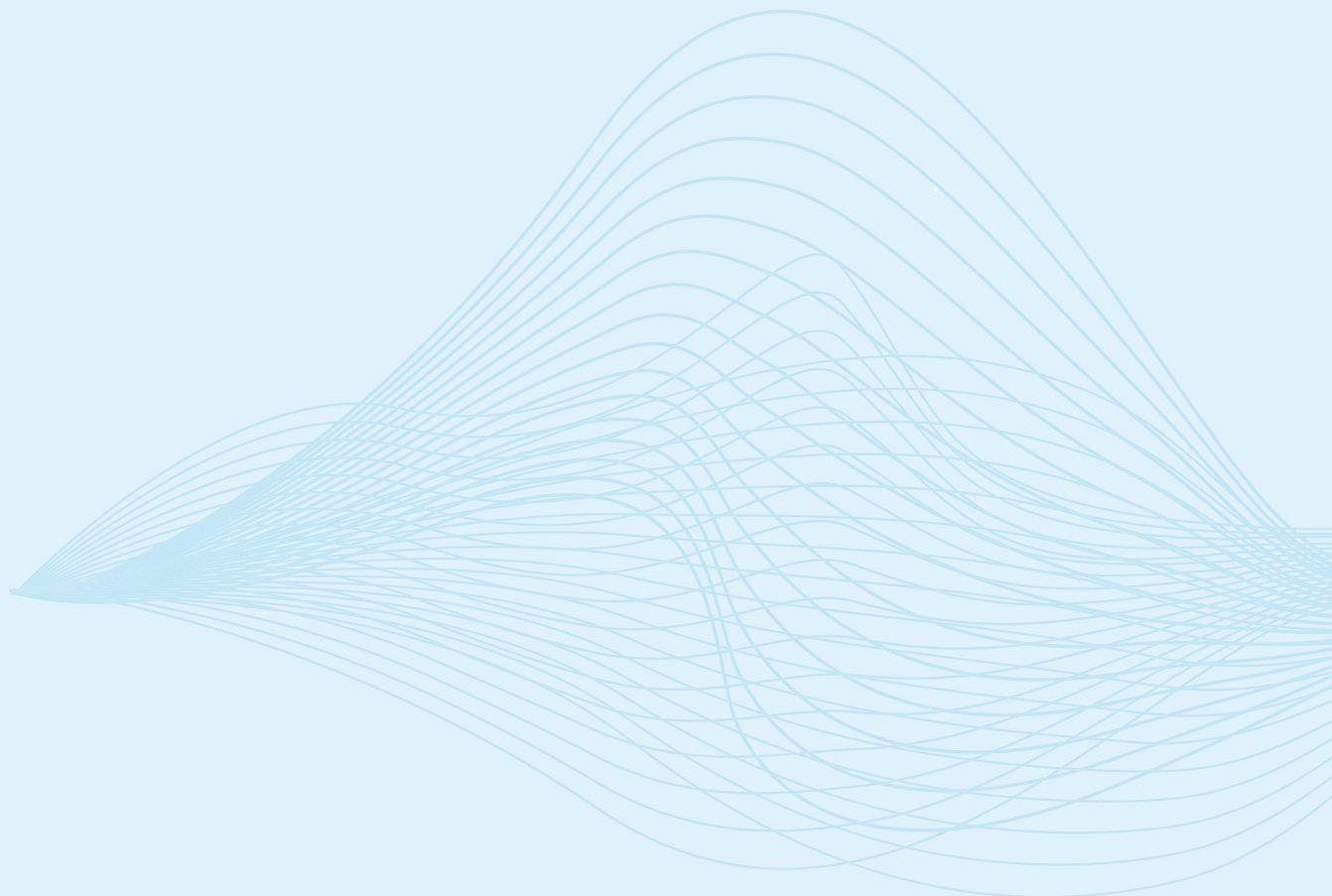
Thanks to Flamenco<sup>IP</sup>'s open system architecture, you will be optimally prepared for future challenges. A wide range of functions are at your disposal, which you can easily select and configure. Your hospital can adapt the functions of the system to your respective requirements.

The system responds dynamically to the requirements of an organisation. Existing IP infrastructures can be used for constructing the backbone; specific components are not necessary.

While setting up, the standards for nurse call systems must be observed, such as DIN VDE 0834.

With the IP system manager, updates/upgrades of the functional components and system software can be carried out efficiently and safely via secure remote access. Systems already installed from earlier system generations can be integrated easily into the new IP system generation and be run parallel to each other. The outstanding and timeless design of the products blend harmoniously into existing or redesigned room environments.

Due to constantly changing market requirements, we constantly enhance our products and solutions. Our customers, quality and services always take centre stage in our business.



---

## Tunstall IP solutions

---

**Flamenco<sup>IP</sup>** draws on more than 50 years of experience in developing nurse call communications systems with market-leading innovations for the digital world of hospitals.

IP is the technology everyone's talking about, and as the systems market leader, we offer you the full spectrum of relevant solutions. We have been listening to our customers and recognising the trends of digitisation early on, and we therefore don't just have technology on our mind. Rather, on the basis of reliable technology, we create entirely new solutions for cooperation between people, interaction of applications and connectivity of devices.

Our solutions for clinics, old people's homes, medical alarms and telemedicine are becoming increasingly interconnected and are able to be integrated into standardised platforms. For you as our customer, we offer more transparency in applications, even easier access to systems, constant expandability of applications used, simple system maintenance by standardised system entries and a wide range of possible combinations of various solutions.

**Tunstall IP – a safe bet!**

© 2017 Tunstall Germany

### **Tunstall GmbH**

Orkotten 66  
48291 Telgte  
Germany

t: +49 (0)2 50 47 01-0  
f: +49 (0)2 50 47 01-499  
e: info@tunstall.de

[www.tunstall.de](http://www.tunstall.de)

Further information about Tunstall products can be found in the relevant information sheets. Because we constantly develop our products, we reserve the right to make changes to the specifications and appearance of our products without prior notice.



**Tunstall**